



KINETIC PUMP



KP-SPT

Non-Clogging Self Priming Trash Pumps

Kinetic Pump Self Priming Trash Pump

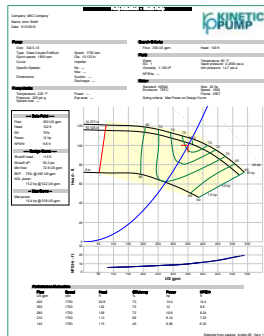
KP-SPT pumps are a heavy duty, self-priming non-clogging design ideal for use in trash handling and other demanding applications. Rugged, cast iron, open impellers are standard and will pass relatively large solids (up to 3" diameter) and slurries right through the pump. KP-SPT pumps are suitable for v-belt drive arrangements with electric motors or internal combustion engines. A wide range of materials are available for both cast parts and mechanical seals.

Markets

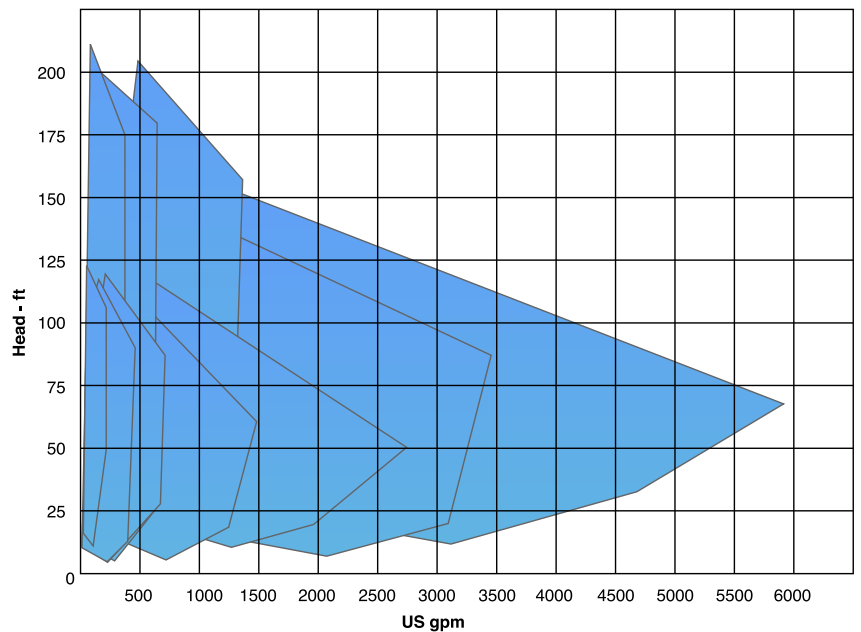
- Agriculture
- OEM
- Pulp and Paper
- Building Trades
- Water and Wastewater
- General Industry
- Marine
- Mining and Aggregates
- Automotive

Selection Software

Kinetic pump model curves are generated by accurate test procedures and submitted to PUMP-FLO for analysis. Pumps can be selected and sized with full performance data via the Kinetic Pump website or by registering for a software CD for installation on your computer. The software provides curves for flow, pressure, brake horsepower, net positive suction head required (NPSHR), and efficiency. Pump speeds can be varied.



Pump Range Chart



Pump Model Nomenclature

KP-SPT - L - 6 x 16 - CI - CD - BST

Pump Type

Self-Priming Trash Pump

Pressure Range

L - Low Head (2 Vane)
H - High Head (5 Vane)

Suction & Discharge -
Pipe Size (in)
Max Impeller Dia. (in)

Mechanical Seal Construction -

Seal Faces

S - Silicon Carbide
T - Tungsten

Elastomer

B - Buna Rubber
V - Viton

Impeller Material

Pump Casing Material

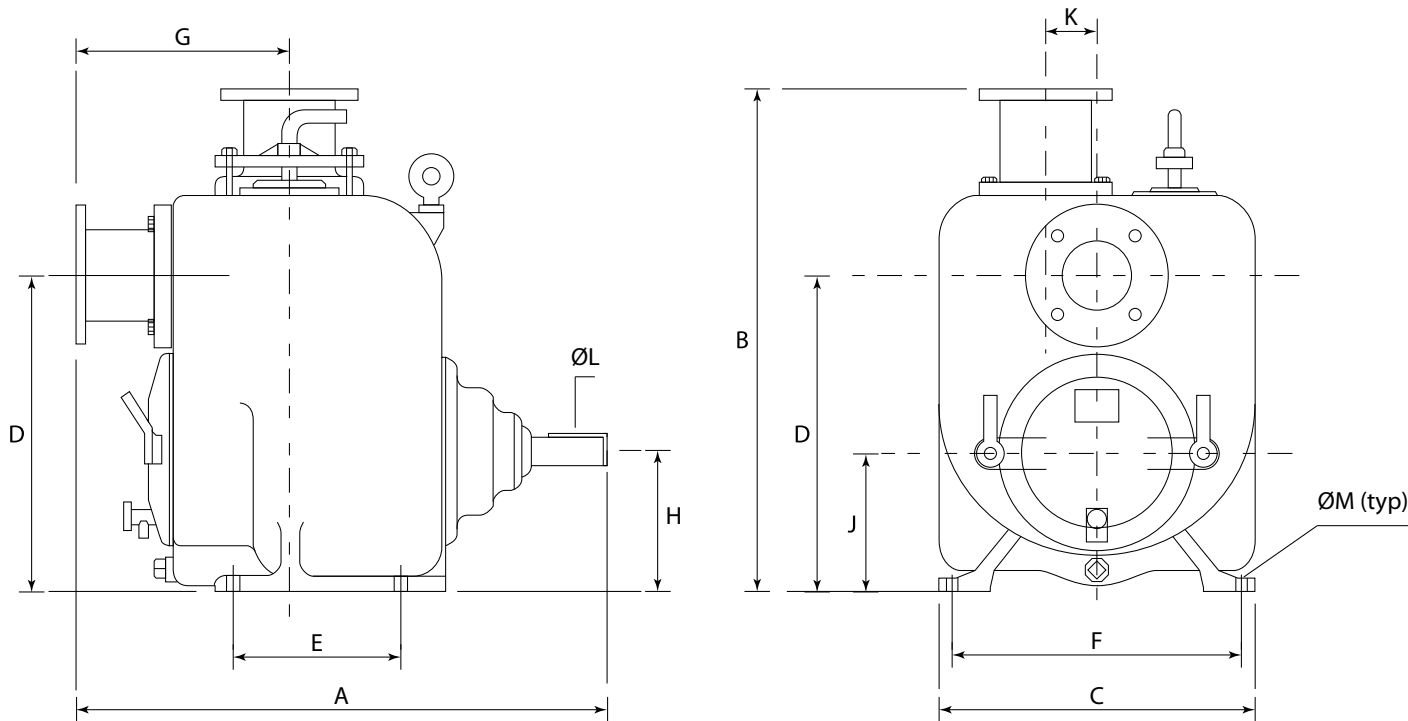
CI - Cast Iron
SS - 316 Stainless Steel
CD - CD4 MCU Alloy
HC - Hastelloy C

Kinetic Pump Design Advantages

- » Interchangeable parts and dimensions with many OEM self-priming non-clog trash pumps (including entire rotating assemblies)
- » All KP-SPT pumps come standard with stainless steel wear plates for long service life (carbon steel available)
- » Removable front cover for easy pump clean-out
- » Both low head and high head pump designs are available
- » Heavy cast iron construction is standard. A wide range of metallurgy is available including 316 SS, CD4 MCU, and Hastelloy C for aggressive duty.
- » Buna Tungsten Carbide mechanical seals are standard for extended service on water applications (other seal materials are available)



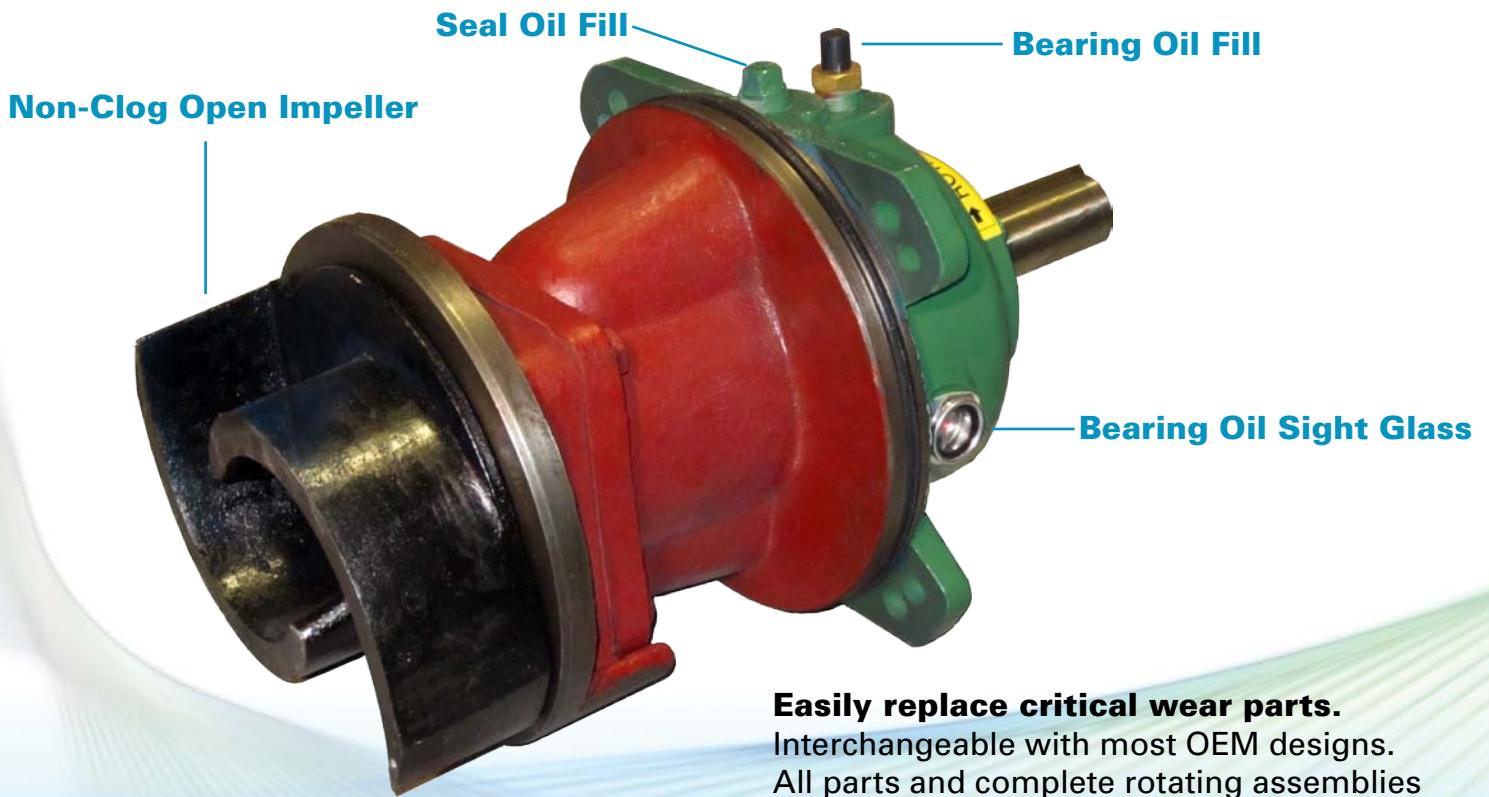
Pump Dimensions (Inch)



Model	Impeller	Max. Solids	A	B	C	D	E	F	G	H	J	K	L	M	Weight
KP-STP-L-2	6.25	1.75	24	20.63	12.14	12.51	6.38	11.13	9.5	5.96	5.96	2.75	1.5	0.5	200
KP-STP-L-3	8.75	2.5	28.63	25.75	17	17	9	15.5	11.56	7.5	7.5	2.75	1.5	0.69	400
KP-STP-L-4	9.75	3	32.38	29.38	19.75	19.5	11	18	12.5	8.75	8.75	2.75	1.5	0.69	600
KP-STP-L-6	12.5	3	34.75	35	22.75	22.38	11	20.75	16.07	10.12	10.12	2.75	1.5	0.69	800
KP-STP-L-8	14.75	3	40.25	42.5	27.75	28.5	12	25	16.25	13	13	0	1.75	0.88	1300
KP-STP-L-10	14.75	3	49	41.25	27.75	25	12	25	28.38	14	n/a	0	1.75	0.88	1400
KP-STP-L-12	18	3	Consult Factory												2200
KP-STP-H-3	11	0.813	29.77	27	17	27	9	15.5	11.5	7.5	7.5	2.75	1.5	0.69	475
KP-STP-H-4	11	1.13	31.88	29.75	20	20	11	18	12.31	8.75	8.75	2.75	1.5	0.69	680
KP-STP-H-6	12.5	1.25	36.38	34.75	23	22.38	11	20.75	16	10.12	10.12	2.75	1.75	0.69	900

Dimensions subject to change. Consult factory for certified dimensions.

Pump Rotating Assembly



Easily replace critical wear parts.
Interchangeable with most OEM designs.
All parts and complete rotating assemblies
are in stock for immediate shipment.

**CONTACT YOUR LOCAL
DISTRIBUTOR:**

 **KINETIC
PUMP**

Kinetic Pump Company
P.O. Box 125
Lake Orion, MI 48361 USA

248-628-7000 www.kineticpump.com

Also Available: KP-C
End Suction Centrifugal
Pumps

